

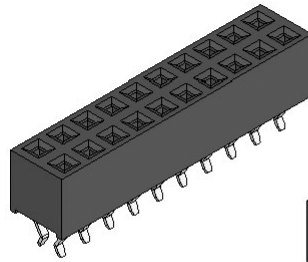
Female Header 2.0 mm

180° Series

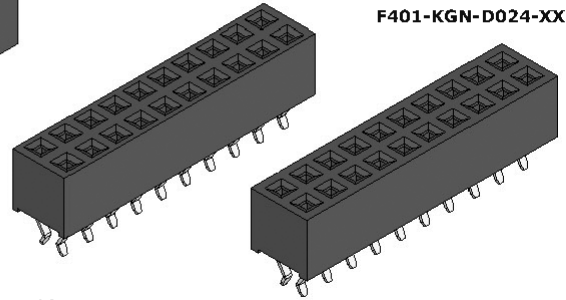
SPECIFICATIONS

- Current Rating: 2 A
- Insulator Resistance: 3000 MOhm min.
- Contact Resistance: 20 mOhm max.
- Dielectric Withstanding: AC 500 V
- Operating Temperature: -40°C ~ +105°C
- Soldering Temperature: 260°C for 3~5 sec. max
- Contact Material: Phosphor Bronze
- Insulator Material: Polyester, UL 94V-0
- Standard: Nylon-6T
- Finish: Tin, Gold or Duplex Plated
- Standard: Gold Flash all over
- Note: Duplex Plating: Gold Plated on contact area, Tin on solder area

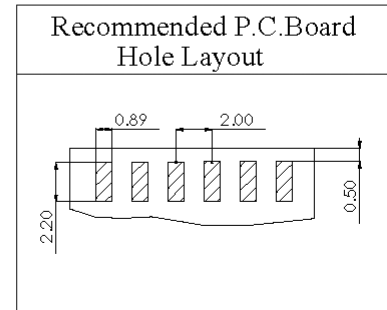
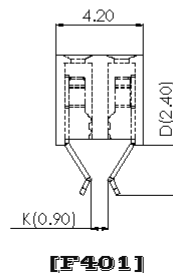
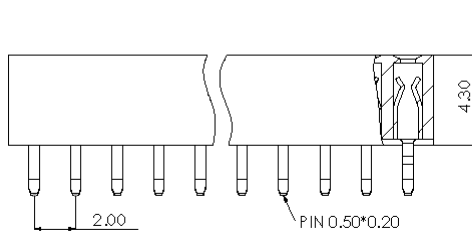
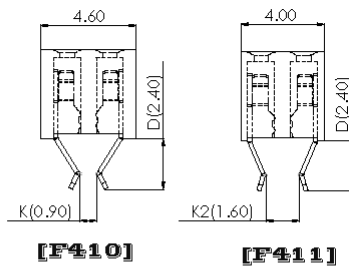
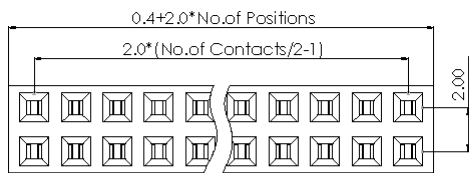
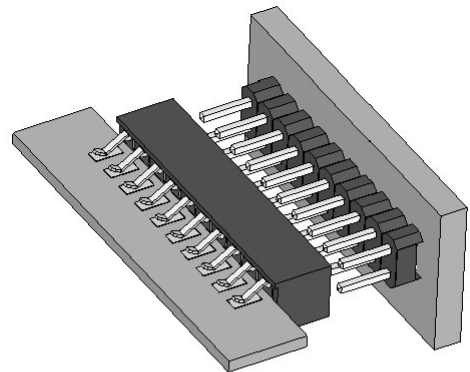
F410-KGN-D024-XX



F401-KGN-D024-XX



F411-K2GN-D024-XX



How to order

Unit: mm

Series	Connector Type	Contact Plating	Material	Pin Length mm	Number of Contacts
FXXX	- X	X	X	- DXXX	- XX
F401:F/H 2.00 H:4.30 Dual Row	K:"K" Type K:0.90	G:Gold Flash T:Tin Plated A:10U"Gold B:15U"Gold C:20U"Gold ⊙Duplex Plating	P:PBT N:Nylon-6T (Standard:N)	K-D D024	(04 TO 80Contacts)
F410:F/H 2.00 H:4.30 Dual Row	K2:1.60	D:Gold Flash/Tin (Standard:G)			
F411:F/H 2.00 H:4.30 Dual Row	:				